



# Classic **WITH FLUID** TECHNOLOGY

Slides with standard bracket  
Scorrevoli con staffa normale



# Classic

**PATENTED**

**Classic** is the **most traditional sliding system** with **front manual coupling bracket** dedicated to wooden doors.

**Classic** is available with the **new Fluid soft closing dampers** in order to achieve an optimal braking motion and a noiseless sliding quality for doors of all sizes. Maximum load capacity up to **250 kg**.

**Classic** è il sistema di **scorrimento tradizionale con staffa ad innesto manuale frontale**, per porte in legno.

**Classic** è disponibile con i **nuovi ammortizzatori Fluid**, per una ottimale frenatura e silenziosità di scorrimento per porte di tutte le larghezze. Kit con portata fino a **250 kg**.

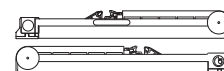




WITH  
**FLUID**<sup>®</sup>  
TECHNOLOGY



**BALL BEARINGS / CUSCINETTI A SFERA**



**N.2 FLUID DAMPERS**  
**N.2 FERMI AMMORTIZZATI FLUID**



**MIN. 650 mm**



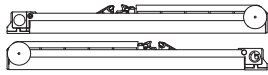
**50 mm**

	<b>50 kg</b>		ART. 1280 8 00 0.01280 8 01 0.01280
	<b>80 kg</b>		ART. 1280 8 00 0.01280 8 01 0.01280
	<b>120 kg</b>		ART. 1280 8 00 0.01280 8 01 0.01280
	<b>160 kg</b>		ART. 1280 8 00 0.01280 8 01 0.01280
	<b>180 kg</b>		ART. 3480 8 00 0.03480 8 01 0.03480
	<b>250 kg</b>		ART. 3480 8 00 0.03480 8 01 0.03480

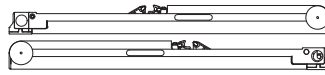
**PAG. 9**

<b>Tracks / Binari</b>		ALUMINUM FINISHES CODES / CODICI FINITURE ALLUMINIO	
CODE / CODICE		FINISH COLOR / COLORE FINITURA	
8 00 0.0 .....	 00	G Raw / Mill Finish / Neutro / Grezzo	<b>STANDARD</b>
8 01 0.0 .....	 01	A Anodized Silver / Argento	
8 02 0.0 .....	 02	AS Brushed Anodized Silver / Argento Spazzolato	
8 13 0.0 .....	 13	E3S Brushed Anodized Dark Brown / E3 Spazzolato	<b>SPECIAL</b>
8 15 0.0 .....	 15	NS Brushed Anodized Black / Nero Spazzolato	
8 17 0.0 .....	 17	NKS Brushed Anodized Nickel / Nichel Spazzolato	





**N.2 FLUID DAMPERS**  
**N.2 FERMI AMMORTIZZATI FLUID**



**N.2 FLUID DAMPERS**  
**N.2 FERMI AMMORTIZZATI FLUID**



**N.2 SHOCK ABSORBERS**  
**N.2 FERMI A PINZA AMMORTIZZATI**



**MIN. 740 mm**



**70 mm**



**MIN. 865 mm**



**100 mm**



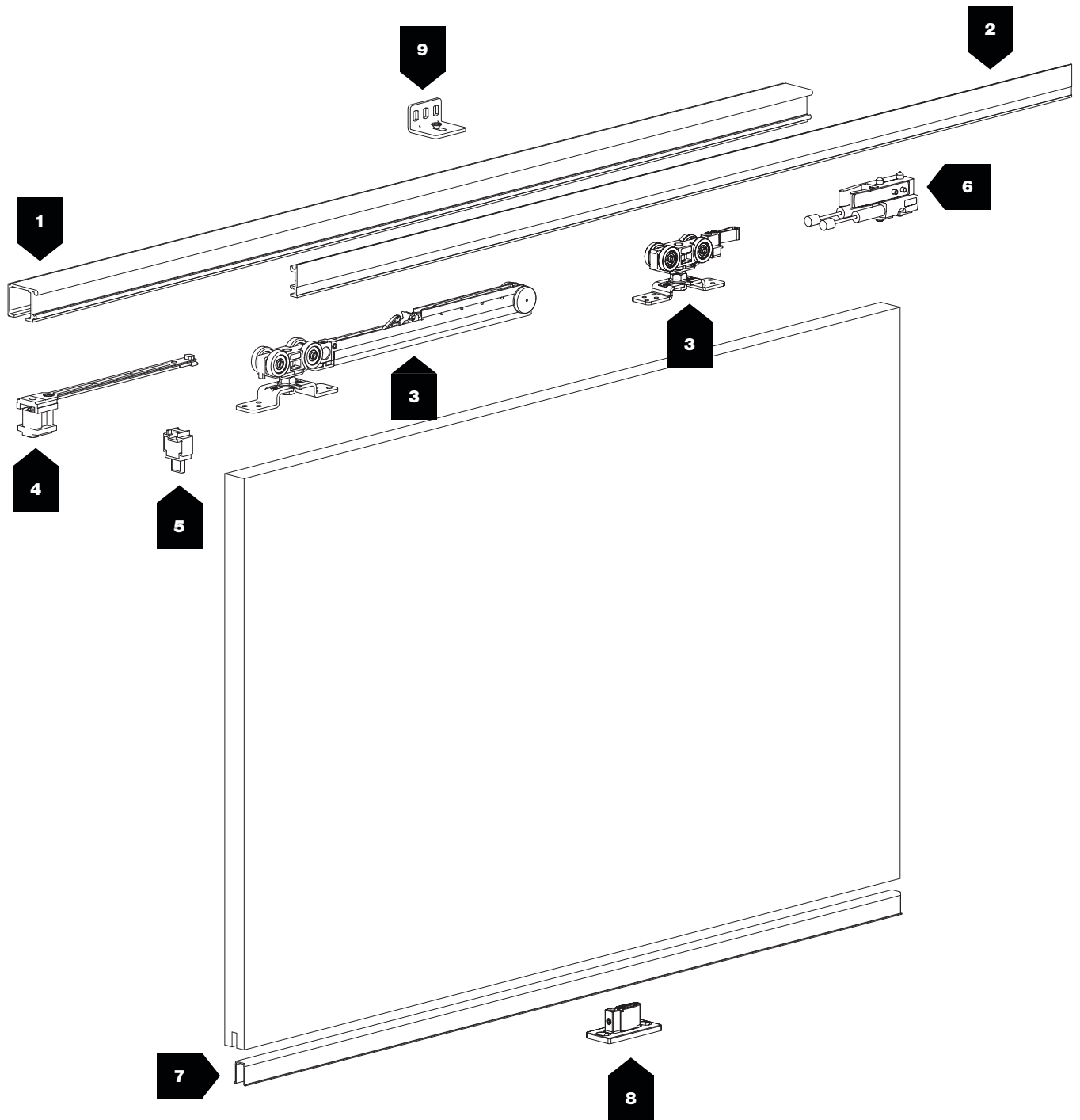
**MIN. 800 mm**

●		
<b>PAG. 10</b>		
●		
<b>PAG. 10</b>		
●		
<b>PAG. 10</b>		
	●	
	<b>PAG. 11</b>	
		●
		<b>PAG. 11</b>
		●
		<b>PAG. 11</b>

<b>Tracks / Binari</b>		PLASTIC FINISHES CODES / CODICI FINITURE PLASTICA		
CODE / CODICE		FINISH COLOR / COLORE FINITURA		<b>STANDARD</b>
8 14 0.0 .....	14 N	Anodized Black / Nero		
8 23 0.0 .....	23 GR	Gray / Grigio		

# Classic

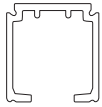

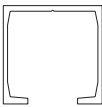

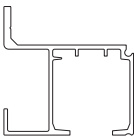
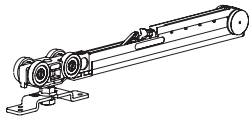
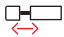
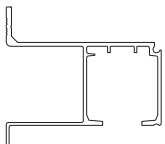
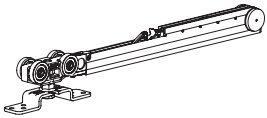
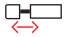
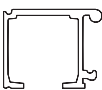
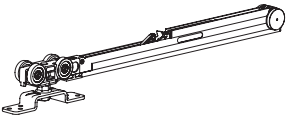
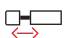
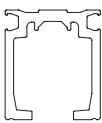
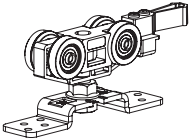

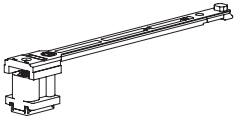

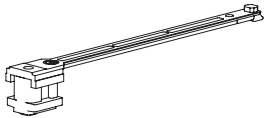
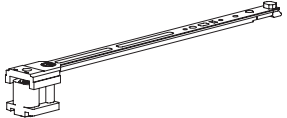
Slides with standard bracket  
Scorrevoli con staffa normale

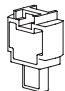
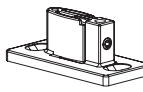
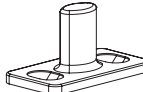
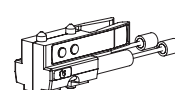

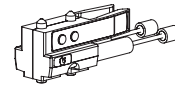
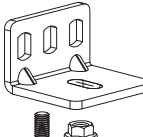

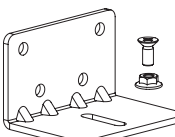


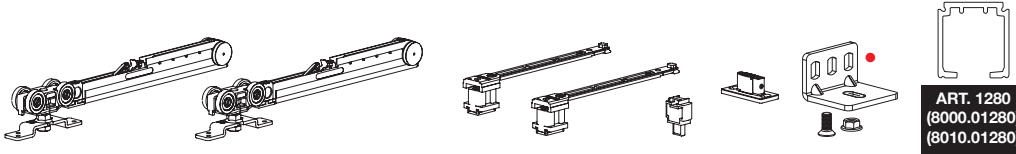
650 ÷ 1600 mm








Min. 30 - Max 250 kg

N°	Barcode		kg		N°	Barcode		kg	
1	1280 8 00 0.01280 8 01 0.01280		30÷160	STANDARD	2	3490 8 02 0.03490		-	OPTIONAL +
	1080 8 00 0.01080 8 01 0.01080		30÷120	OPTIONAL +		3491		-	OPTIONAL +
	1359 8 00 0.01359 8 01 0.01359		30÷120	OPTIONAL +	3	3396		30÷80	<b>NEW</b>  50 mm
	1559 8 00 0.01559 8 01 0.01559		30÷120	OPTIONAL +		3352/080		50÷120	 70 mm
	1700 8 00 0.01700 8 01 0.01700		30÷120	OPTIONAL +		3352/160		160	<b>NEW</b>  100 mm
	3480 8 00 0.03480 8 01 0.03480		180÷250	STANDARD		3488		180÷250	
	1710 8 00 0.01710 8 01 0.01710		30÷120	OPTIONAL +		3387		30÷80	<b>NEW</b>
1720 8 00 0.01720 8 01 0.01720		30÷120	OPTIONAL +	3354		50÷120			
					3367		160	<b>NEW</b>	

N°			kg		N°			kg	
5	3347		-		8	333		30÷160	
						2855		180÷250	
6	3485/180		180		9	409		-	
	3485/250		250			127/D/V		30÷120	
7	121 8 14 0.00121 8 23 0.00121		-	OPTIONAL +	163/DV		160÷250		



		OLD CODE	NEW CODE			
<b>KIT</b>	● N° 5	—	<b>K.080.7.1.C</b>	Min. 650 mm	—	4x
	—	—	<b>K.080.7.1.S</b>	Min. 650 mm	—	4x
<b>BLISTER</b>	N° 4	—	<b>B.080.7.1.C150</b>	650 ÷ 850 mm	1500 mm	4x
	N° 5	—	<b>B.080.7.1.C165</b>	850 ÷ 950 mm	1650 mm	4x
	● N° 5	—	<b>B.080.7.1.C200</b>	950 ÷ 1100 mm	2000 mm	4x
	N° 6	—	<b>B.080.7.1.C250</b>	1100 ÷ 1350 mm	2500 mm	4x
	N° 7	—	<b>B.080.7.1.C300</b>	1350 ÷ 1600 mm	3000 mm	4x
	—	—	<b>B.080.7.1.S150</b>	650 ÷ 850 mm	1500 mm	4x
	—	—	<b>B.080.7.1.S165</b>	850 ÷ 950 mm	1650 mm	4x
	—	—	<b>B.080.7.1.S200</b>	950 ÷ 1100 mm	2000 mm	4x
	—	—	<b>B.080.7.1.S250</b>	1100 ÷ 1350 mm	2500 mm	4x
	—	—	<b>B.080.7.1.S300</b>	1350 ÷ 1600 mm	3000 mm	4x



**30 ÷ 80 kg**



**Min. 650 mm**



**50 mm**



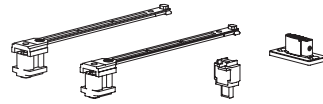
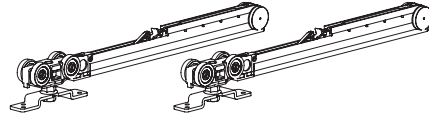
N.2 Fluid dampers  
N.2 Fermi ammortizzati  
Fluid



Ball bearings  
Cuscinetti a sfera

# Classic

Slides with standard bracket  
Scorrevoli con staffa normale



ART. 1280  
(8000.01280)  
(8010.01280)



50 kg



Min. 740 mm



70 mm

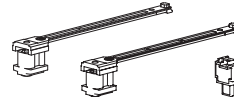
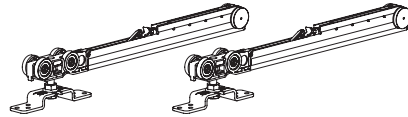


N.2 Fluid dampers  
N.2 Fermi ammortizzati  
Fluid



Ball bearings  
Cuscinetti a sfera

			OLD CODE	NEW CODE		TRACK-BINARIO 	
KIT	●	N° 4	—	<b>K.050.2.1.C</b>	Min. 740 mm	—	4x
			—	<b>K.050.2.1.S</b>	Min. 740 mm	—	4x
BLISTER	●	N° 4	—	<b>B.050.2.1.C150</b>	740 ÷ 850 mm	1500 mm	4x
		N° 5	—	<b>B.050.2.1.C165</b>	850 ÷ 950 mm	1650 mm	4x
		N° 5	—	<b>B.050.2.1.C200</b>	950 ÷ 1100 mm	2000 mm	4x
		N° 6	—	<b>B.050.2.1.C250</b>	1100 ÷ 1350 mm	2500 mm	4x
		N° 7	—	<b>B.050.2.1.C300</b>	1350 ÷ 1600 mm	3000 mm	4x
		—	—	<b>B.050.2.1.S150</b>	740 ÷ 850 mm	1500 mm	4x
		—	—	<b>B.050.2.1.S165</b>	850 ÷ 950 mm	1650 mm	4x
		—	—	<b>B.050.2.1.S200</b>	950 ÷ 1100 mm	2000 mm	4x
—	—	<b>B.050.2.1.S250</b>	1100 ÷ 1350 mm	2500 mm	4x		
—	—	<b>B.050.2.1.S300</b>	1350 ÷ 1600 mm	3000 mm	4x		



ART. 1280  
(8000.01280)  
(8010.01280)



80 kg



Min. 740 mm



70 mm

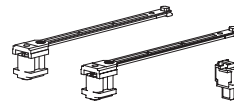
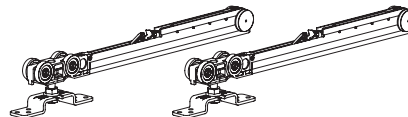


N.2 Fluid dampers  
N.2 Fermi ammortizzati  
Fluid



Ball bearings  
Cuscinetti a sfera

			OLD CODE	NEW CODE		TRACK-BINARIO 	
KIT	●	N° 5	—	<b>K.080.2.1.C</b>	Min. 740 mm	—	4x
			—	<b>K.080.2.1.S</b>	Min. 740 mm	—	4x
BLISTER	●	N° 4	—	<b>B.080.2.1.C150</b>	740 ÷ 850 mm	1500 mm	4x
		N° 5	—	<b>B.080.2.1.C165</b>	850 ÷ 950 mm	1650 mm	4x
		N° 5	—	<b>B.080.2.1.C200</b>	950 ÷ 1100 mm	2000 mm	4x
		N° 6	—	<b>B.080.2.1.C250</b>	1100 ÷ 1350 mm	2500 mm	4x
		N° 7	—	<b>B.080.2.1.C300</b>	1350 ÷ 1600 mm	3000 mm	4x
		—	—	<b>B.080.2.1.S150</b>	740 ÷ 850 mm	1500 mm	4x
		—	—	<b>B.080.2.1.S165</b>	850 ÷ 950 mm	1650 mm	4x
		—	—	<b>B.080.2.1.S200</b>	950 ÷ 1100 mm	2000 mm	4x
—	—	<b>B.080.2.1.S250</b>	1100 ÷ 1350 mm	2500 mm	4x		
—	—	<b>B.080.2.1.S300</b>	1350 ÷ 1600 mm	3000 mm	4x		



ART. 1280  
(8000.01280)  
(8010.01280)



120 kg



Min. 740 mm



70 mm



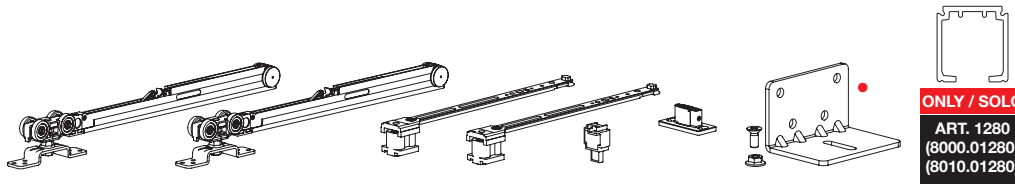
N.2 Fluid dampers  
N.2 Fermi ammortizzati  
Fluid



Ball bearings  
Cuscinetti a sfera

			OLD CODE	NEW CODE		TRACK-BINARIO 	
KIT	●	N° 6	—	<b>K.120.2.1.C</b>	Min. 740 mm	—	4x
			—	<b>K.120.2.1.S</b>	Min. 740 mm	—	4x
BLISTER	●	N° 4	—	<b>B.120.2.1.C150</b>	740 ÷ 850 mm	1500 mm	4x
		N° 5	—	<b>B.120.2.1.C165</b>	850 ÷ 950 mm	1650 mm	4x
		N° 5	—	<b>B.120.2.1.C200</b>	950 ÷ 1100 mm	2000 mm	4x
		N° 6	—	<b>B.120.2.1.C250</b>	1100 ÷ 1350 mm	2500 mm	4x
		N° 7	—	<b>B.120.2.1.C300</b>	1350 ÷ 1600 mm	3000 mm	4x
		—	—	<b>B.120.2.1.S150</b>	740 ÷ 850 mm	1500 mm	4x
		—	—	<b>B.120.2.1.S165</b>	850 ÷ 950 mm	1650 mm	4x
		—	—	<b>B.120.2.1.S200</b>	950 ÷ 1100 mm	2000 mm	4x
—	—	<b>B.120.2.1.S250</b>	1100 ÷ 1350 mm	2500 mm	4x		
—	—	<b>B.120.2.1.S300</b>	1350 ÷ 1600 mm	3000 mm	4x		





		OLD CODE	NEW CODE			
<b>KIT</b>	●	N° 6	—	<b>K.160.11.1.C</b>	Min. 865 mm	4x
	—	—	—	<b>K.160.11.1.S</b>	Min. 865 mm	4x
<b>BLISTER</b>	●	N° 5	—	<b>B.160.11.1.C200</b>	865 ÷ 1100 mm	4x
		N° 6	—	<b>B.160.11.1.C250</b>	1100 ÷ 1350 mm	4x
		N° 7	—	<b>B.160.11.1.C300</b>	1350 ÷ 1600 mm	4x
	—	—	<b>B.160.11.1.S200</b>	865 ÷ 1100 mm	4x	
	—	—	<b>B.160.11.1.S250</b>	1100 ÷ 1350 mm	4x	
	—	—	<b>B.160.11.1.S300</b>	1350 ÷ 1600 mm	4x	



**160 kg**



**Min. 865 mm**



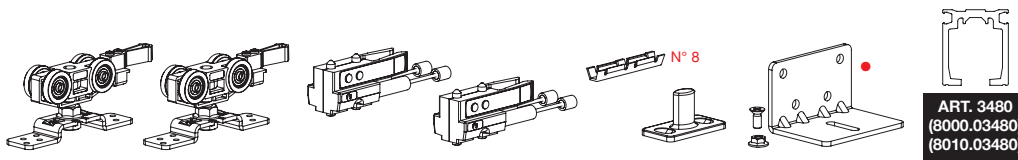
**100 mm**



N.2 Fluid dampers  
N.2 Fermi ammortizzati  
Fluid



Ball bearings  
Cuscinetti a sfera



		OLD CODE	NEW CODE			
<b>KIT</b>	●	N° 7	—	<b>K.180.3.1.C</b>	Min. 800 mm	5x
	—	—	—	<b>K.180.3.1.S</b>	Min. 800 mm	5x
<b>BLISTER</b>	●	N° 5	—	<b>B.180.3.1.C200</b>	800 ÷ 1100 mm	4x
		N° 6	—	<b>B.180.3.1.C250</b>	1100 ÷ 1350 mm	4x
		N° 7	—	<b>B.180.3.1.C300</b>	1350 ÷ 1600 mm	4x
	—	—	<b>B.180.3.1.S200</b>	800 ÷ 1100 mm	4x	
	—	—	<b>B.180.3.1.S250</b>	1100 ÷ 1350 mm	4x	
	—	—	<b>B.180.3.1.S300</b>	1350 ÷ 1600 mm	4x	



**180 kg**



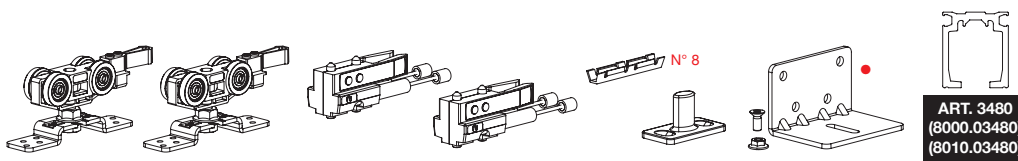
**Min. 800 mm**



N.2 Shock absorber  
N.2 Fermi a pinza  
ammortizzati



Ball bearings  
Cuscinetti a sfera



		OLD CODE	NEW CODE			
<b>KIT</b>	●	N° 7	—	<b>K.250.3.1.C</b>	Min. 800 mm	5x
	—	—	—	<b>K.250.3.1.S</b>	Min. 800 mm	5x
<b>BLISTER</b>	●	N° 5	—	<b>B.250.3.1.C200</b>	800 ÷ 1100 mm	4x
		N° 6	—	<b>B.250.3.1.C250</b>	1100 ÷ 1350 mm	4x
		N° 7	—	<b>B.250.3.1.C300</b>	1350 ÷ 1600 mm	4x
	—	—	<b>B.250.3.1.S200</b>	800 ÷ 1100 mm	4x	
	—	—	<b>B.250.3.1.S250</b>	1100 ÷ 1350 mm	4x	
	—	—	<b>B.250.3.1.S300</b>	1350 ÷ 1600 mm	4x	



**250 kg**



**Min. 800 mm**



N.2 Shock absorber  
N.2 Fermi a pinza  
ammortizzati



Ball bearings  
Cuscinetti a sfera

# Classic

Slides with standard bracket  
Scorrevoli con staffa normale

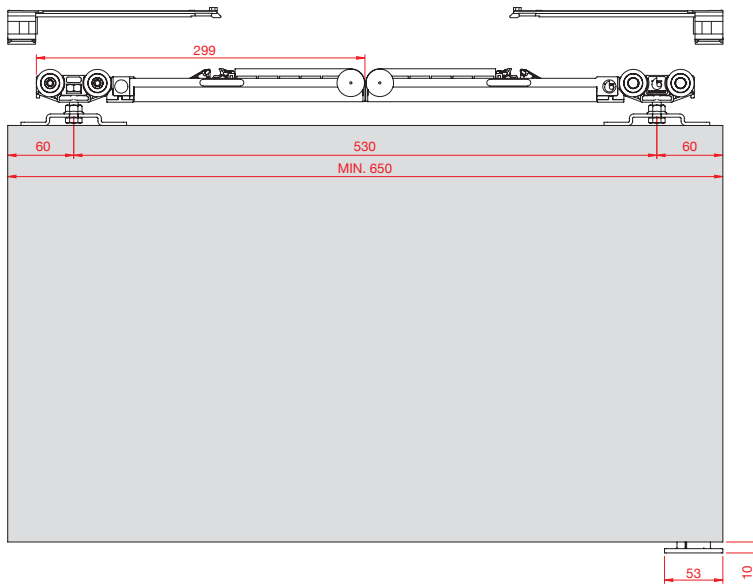
N.2 Fluid dampers - Min. 650 mm  
N.2 Fermi ammortizzati Fluid - Min. 650 mm



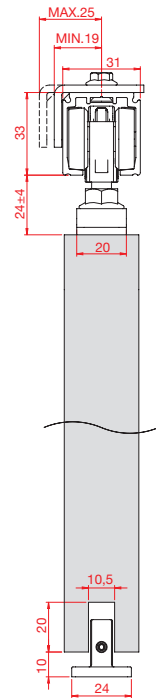
30 kg  
80 kg



50 mm



30-80 kg



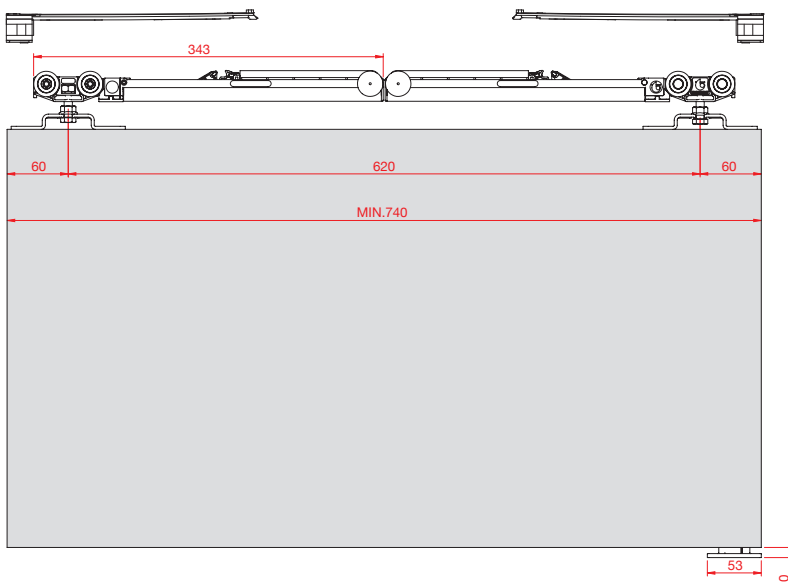
N.2 Fluid dampers - Min. 740 mm  
N.2 Fermi ammortizzati Fluid - Min. 740 mm



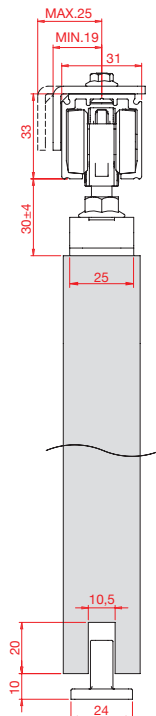
50 kg  
80 kg  
120 kg



70 mm



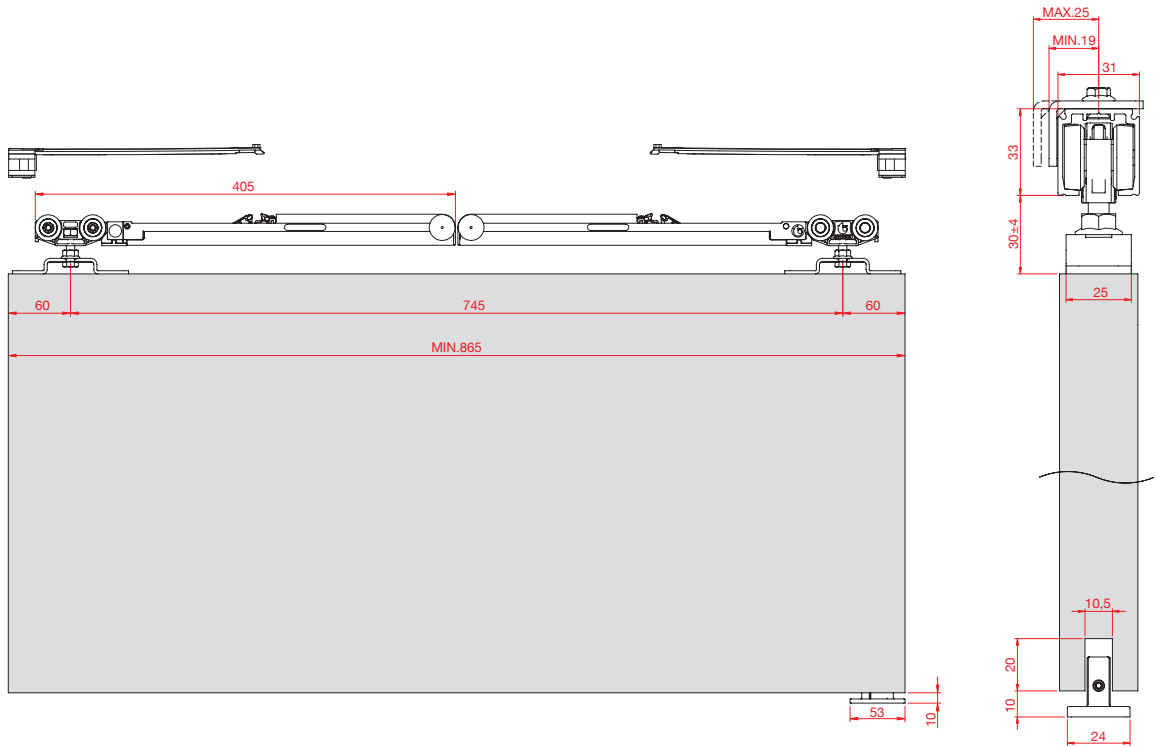
50-120 kg



N.2 Fluid dampers - Min. 865 mm  
N.2 Fermi ammortizzati Fluid - Min. 865 mm

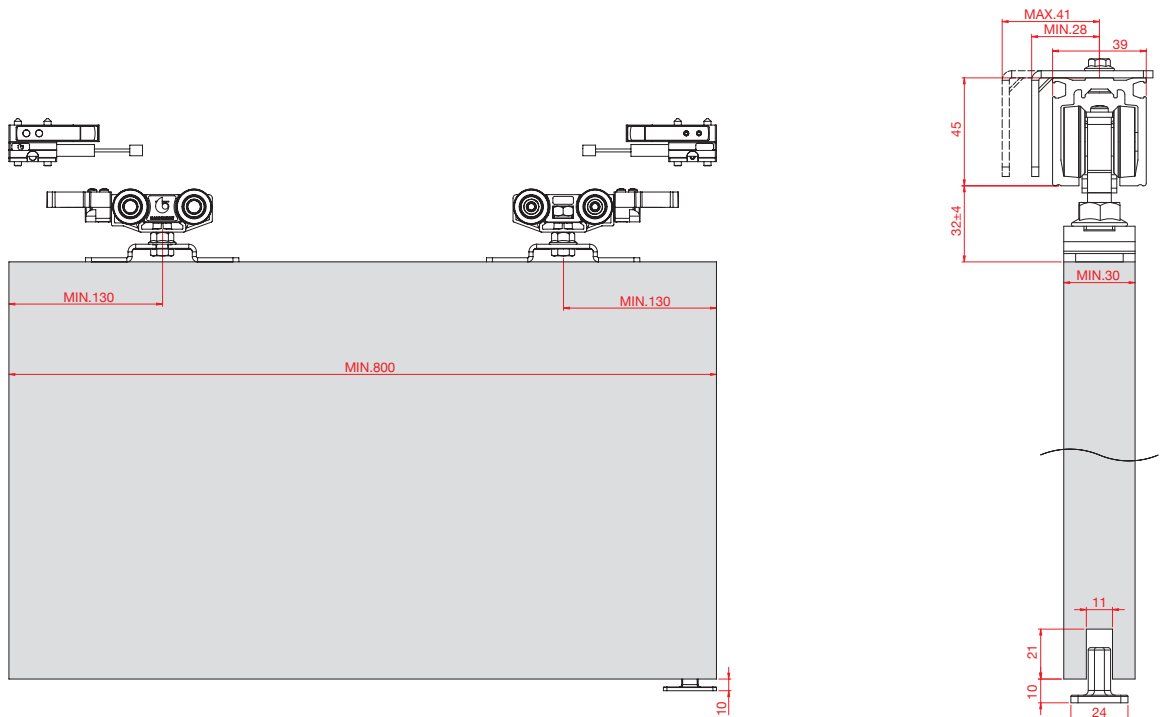
  
**160 kg**

  
**100 mm**



N.2 Shock absorber - Min. 800 mm  
N.2 Fermi a pinza ammortizzati - Min. 800 mm

  
**200 kg**  
**250 kg**





## **Terno Scorrevoli S.p.A.**

**Via Ravenna, 4 - 20814 Varedo (MB) ITALY  
Phone +39 0362 543001 - Fax +39 0362 582290**

**[terno@ternoscorrevoli.com](mailto:terno@ternoscorrevoli.com)  
[www.ternoscorrevoli.com](http://www.ternoscorrevoli.com)**